

## Exact and aligned



TRANSVER Alignment bar  
**Z-LE / Z-LP**

### Description of function

The TRANSVER Alignment bar product line is highly versatile and designed specifically for TRANSVER conveyor systems. TRANSVER Plus Alignment bar are selected according to functional requirements and optimally adapted to your product. This ensures ideal product handling according to individual needs.

#### Single stopper system, type Z-LE

This flexible Single stopper system is ideal for aligning and phasing individual products in a production line. Each Single stopper system comprises of several small aligners for each channel.

#### Alignment bar, pneumatic type, type Z-LP

Additional alignment prior to a new production process is often unavoidable. The pneumatic aligner is ideal for such requirements. Its functional design with pneumatic cylinder covers a wide range of dimensions.

### Areas of application

Can be used in both the food and non-food industries. Examples include:

- Alignment
- Forming cross rows
- Stopping
- Metering

### Technical Data

Row capacity	
type Z-LE	ca. 80 R/min
type Z-LP	ca. 60 R/min
Stroke	
type Z-LE	15 or 20 mm
type Z-LP	max. 40 mm
Noise level	depending on dimensions

Performance data may vary according to application

### Specifications

#### Single stopper, type Z-LE

The pneumatic cylinders actuate individually shaped retainer plates. Thanks to the precise guidance, very high stroke rates are possible.

#### Alignment bar, pneumatic type, type Z-LP

The swivelling aligner is actuated by a pneumatic cylinder. Thanks to the resultant leverage the retainer plate is raised extremely rapidly.

#### Supports

- Screwed on the frame (Z-LP)
- Cramped on mounting bars (Z-LP)
- Cramped on supports (Z-LE)

#### Safety

CE manufacturer declaration

#### Finish

- Mild steel, choice of RAL shade  
  retainer plate stainless steel
- Complete stainless steel on request

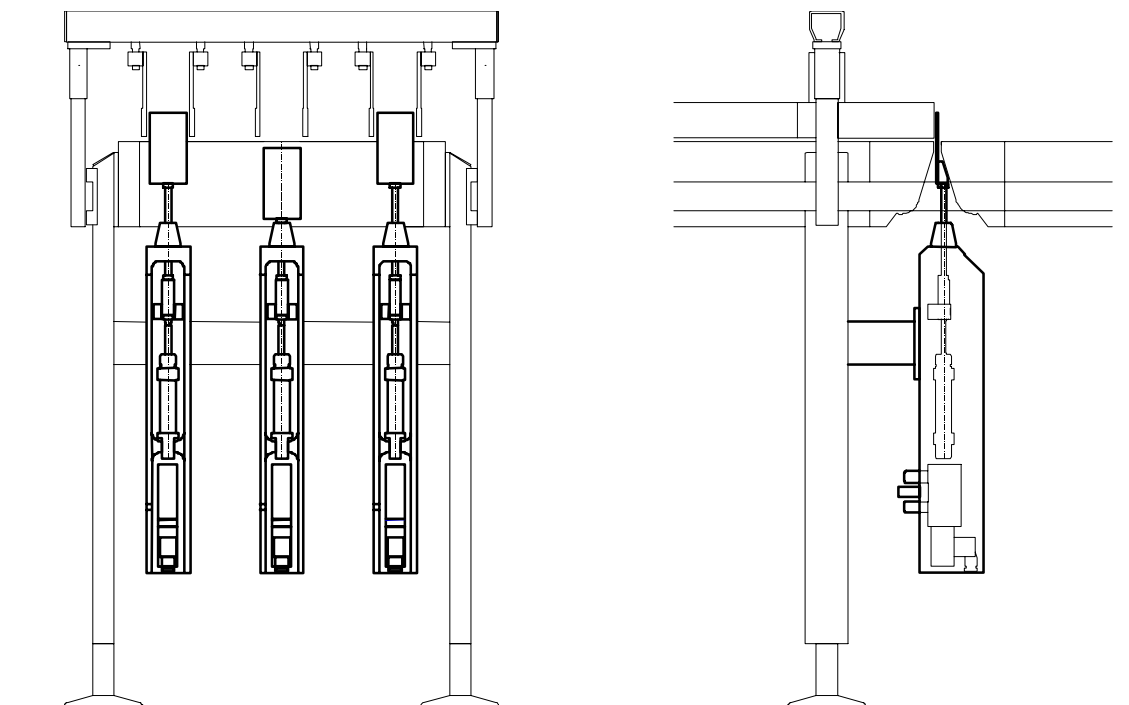
### Options

- Safety guard
- Product detector
- Maintenance unit

### Your benefits

- Precise product alignment
- High row capacity
- Individual product-specific solutions
- Gentle product handling
- Easy to clean
- Combinable with all TRANSVER conveyor systems
- Stainless steel retainer plates
- Sturdy design has a proven record in multi-shift operation

## Single stopper (Z-LE)



## Alignment bar, pneumatic type (Z-LP)

