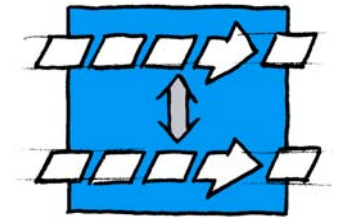


Strong and practical



TRANSVER Lifting Table telescope type

Z-HT

Description of function

The TRANSVER Lifting table type Z-HT consists of a base frame and a vertically adjustable frame construction for precise positioning of conveyor elements.

TRANSVER belt bends and straight conveyors can be mounted on the lifting table in practically any combination. This enables fast and easy conveyor line change over at the touch of a button. For example the platform can be raised or lowered to feed a belt bend instead of a straight conveyor.

Thanks to its low height, the Lifting table can be used in very restricted spaces.

Areas of application

A specially used in non-food industries for change over product lines. Examples include:

- Paper industry
- Carton and trays
- Mechanical industry
- Packed goods

Technical data

Load capacity	<i>up to 800 kg</i>
Lifting speed	<i>ca. 0.5 m/min</i>
Numbers of electr. cylinders	<i>4 pieces</i>
Vertical positions	<i>2 (Standard) on request if more than 2</i>

Performance data may vary according to application

Specifications

Lifting drive

The four electrical cylinders moves a mounted top frame construction. On this frame construction TRANSVER components can be developed.

Supports

With supports for floor mounting

- Fixed (adjustable ± 30 mm)

Safety

- Safety guard
- CE manufacturer declaration

Finish

- Mild steel, choice of RAL shade
Platform of anodised aluminium
- Stainless steel on request

Mechanical options

- Catch tray
- Further options on request

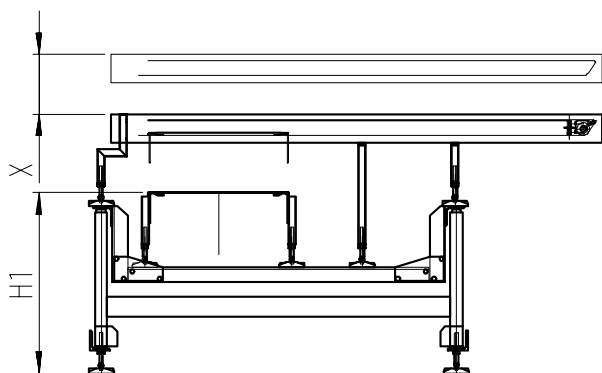
Electrical Options

- Disconnecter
- Emergency stop
- Further options on request

Your benefits

- Rapid change over of production lines
- High load capacity
- Low height
- Easy to operate
- High reliability
- Compact and space-saving
- Sturdy design has a proven record in multi-shift operation
- Convenient for servicing
- Almost no maintenance required

Dimensions [mm]



Platform length L1	<i>Approx. 1500 mm</i>
Platform width B1	<i>Approx. 1500 mm</i>
Height H1	<i>Min. 700 mm</i>
Stroke X	<i>180 to 350 mm</i>
Assembly angle	<i>horizontal</i>
Other dimensions on request	

