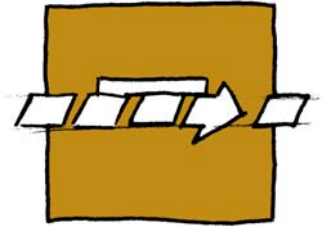


## *Individual and gentle*



TRANSVER Side guides

## **L-FS / L-FM / L-FL**

### Description of function

The TRANSVER Side guides product line is designed on a modular basis specifically for TRANSVER conveyor systems. TRANSVER Side guides are assembled to customised requirements and optimally adapted to your product. This ensures ideal product handling according to individual needs.

#### Side guides, type L-FS

These versatile Side guides are designed for simple guiding of individual products, as well as for complex separation of products from batches.

#### Multiple side guides, type L-FM

These Multiple side guides are specially designed for maintaining product sequence lines. Optional spindle adjusters are available for rapid format changes.

#### Lamellar side guides, type L-FL

For small rectangular products particularly difficult to separate. Thanks to the lamella adjustment possibilities, these Side guides are ideal for such tasks.

### Areas of application

Can be used in both the food and non-food industries. Examples include:

- Lateral guidance
- Product integration
- Product integration
- Separation from product batches
- Product channelling

### Specifications

#### Side guides, type L-FS

The adjustment rods enable easy setting of product spacing. The lateral guide height and angle can also be adjusted optimally.

#### Multiple side guides, type L-FM

The individual suspension of the guide rails enables precise alignment of each product. The optional spindle adjustment interconnects the guide rails for easy setting of product format.

#### Lamellar side guides, type L-FL

The circular profiles of the individual lamellas are fixed for optimal alignment.

#### Supports

- Screwed on the frame
- Cramped on mounting bar

#### Safety

CE manufacturer declaration

#### Finish

- Mild steel, choice of RAL shade guide rails stainless steel
- Complete stainless steel on request

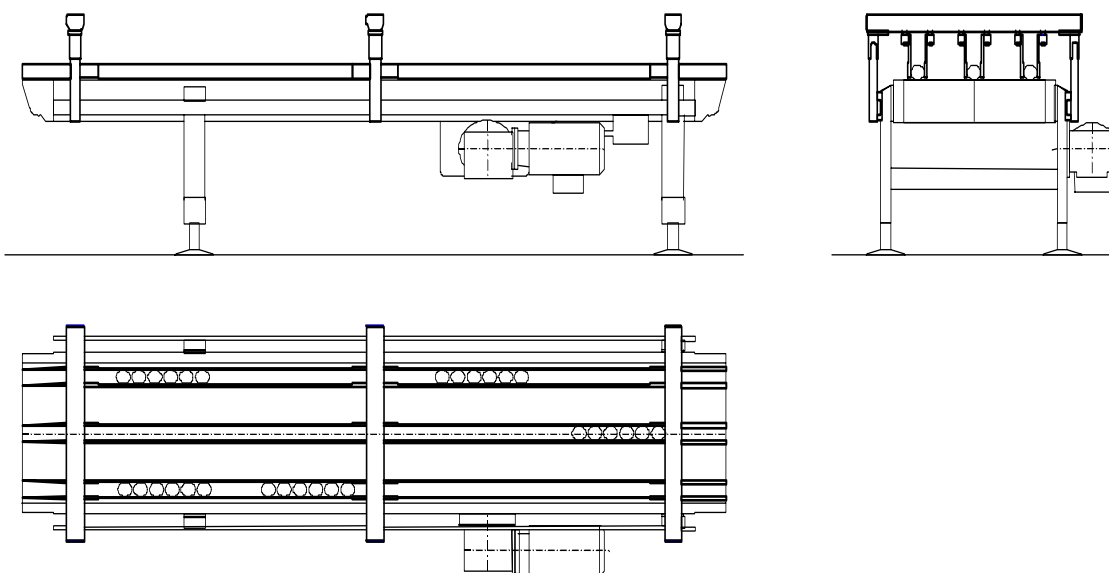
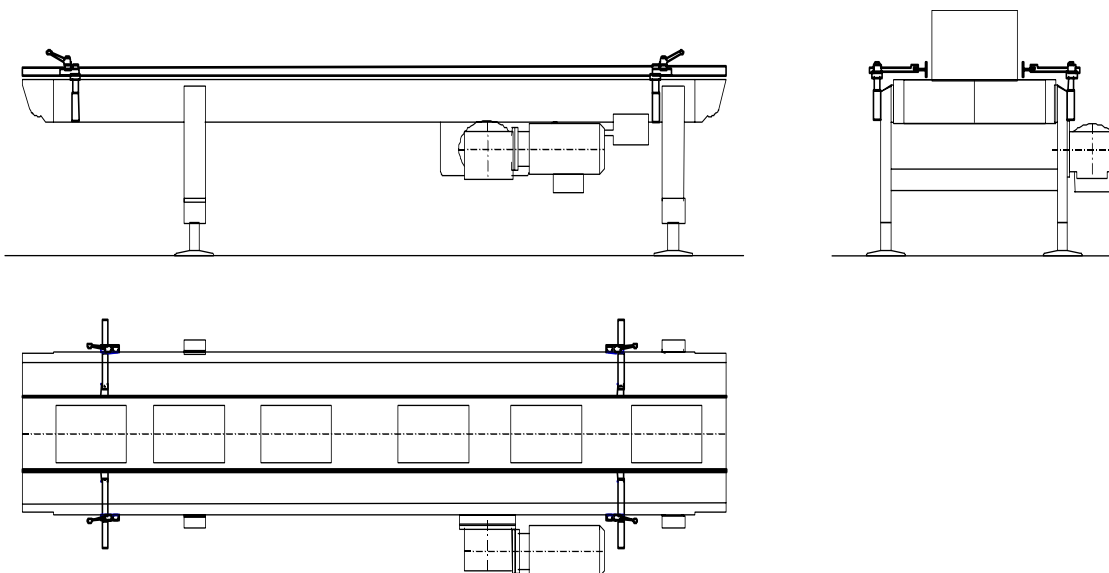
### Options

- Spindle adjusters (L-FM)
- Positioning rule
- Special guide profiles

### Your benefits

- Individual product-specific solutions
- Rapid format changes
- Gentle product handling
- Easy to clean
- Combinable with all TRANSVER conveyor systems
- High-precision product guidance
- Stainless steel guiderails
- Can be expanded using the modular system
- Sturdy design has a proven record in multi-shift operation

## Side guides (L-FS)



## Lamellar side guides (L-FL)

